

## RACCORDI A PRESSARE MULTIPINZA

UNIVERSAL JAWS RADIAL PRESS FITTINGS

### ART. 5S00.00

**RACCORDO DIRITTO DOPPIO**  
DOUBLE STRAIGHT FITTING



CODICE CODE	MISURA SIZE	SPESSORE THICKNESS	SCATOLA BOX
5S0000H142000T	14 x 14	2,0	100
5S0000H162000T	16 x 16	2,0	100
5S0000H182000T	18 x 18	2,0	100
5S0000H202000T	20 x 20	2,0	90
5S0000H202200T	20 x 20	2,25	100
5S0000H252500T	25 x 25	2,5	40
5S0000H263000T	26 x 26	3,0	40
5S0000H323000T	32 x 32	3,0	25
5S0000H403500T	40 x 40	3,5	15
5S0000H504000T	50 x 50	4,0	10
5S0000H634500T	63 X 63	4,5	4

### ART. 5S00.02

**RACCORDO DIRITTO FEMMINA**  
FEMALE STRAIGHT FITTING



CODICE CODE	MISURA SIZE	SPESSORE THICKNESS	SCATOLA BOX
5S0002H041620T	1/2" x 16	2,0	100
5S0002H041820T	1/2" x 18	2,0	80
5S0002H042020T	1/2" x 20	2,0	80
5S0002H042022T	1/2" x 20	2,25	80
5S0002H042525T	1/2" x 25	2,5	50
5S0002H042630T	1/2" x 26	3,0	50
5S0002H051620T	3/4" x 16	2,0	50
5S0002H051820T	3/4" x 18	2,0	50
5S0002H052020T	3/4" x 20	2,0	50
5S0002H052022T	3/4" x 20	2,25	50
5S0002H052525T	3/4" x 25	2,5	40
5S0002H052630T	3/4" x 26	3,0	40
5S0002H102525T	1" x 25	2,5	40
5S0002H102630T	1" x 26	3,0	40
5S0002H103230T	1" x 32	3,0	30
5S0002H124035T	1"1/4 x 40	3,5	15
5S0002H145040T	1"1/2 x 50	4,0	10

### ART. 5S00.01

**RACCORDO DIRITTO MASCHIO**  
MALE STRAIGHT FITTING



CODICE CODE	MISURA SIZE	SPESSORE THICKNESS	SCATOLA BOX
5S0001H031620T	3/8" x 16	2,0	150
5S0001H041620T	1/2" x 16	2,0	120
5S0001H041820T	1/2" x 18	2,0	100
5S0001H042020T	1/2" x 20	2,0	100
5S0001H042022T	1/2" x 20	2,25	100
5S0001H042525T	1/2" x 25	2,5	50
5S0001H042630T	1/2" x 26	3,0	50
5S0001H051620T	3/4" x 16	2,0	90
5S0001H051820T	3/4" x 18	2,0	80
5S0001H052020T	3/4" x 20	2,0	80
5S0001H052022T	3/4" x 20	2,25	80
5S0001H052525T	3/4" x 25	2,5	50
5S0001H052630T	3/4" x 26	3,0	50
5S0001H102525T	1" x 25	2,5	40
5S0001H102630T	1" x 26	3,0	40
5S0001H103230T	1" x 32	3,0	40
5S0001H124035T	1"1/4 x 40	3,5	15
5S0001H145040T	1"1/2 x 50	4,0	12
5S0001H206345T	2" X 63	4,5	8

## RACCORDI A PRESSURE MULTIPINZA

UNIVERSAL JAWS RADIAL PRESS FITTINGS

## ART. 5S00.03

**RACCORDO DIRITTO RIDOTTO**  
REDUCED STRAIGHT FITTING



CODICE CODE	MISURA SIZE	SPESSORE THICKNESS	SCATOLA BOX
5S0003H625600T	18 x 16	2,0 / 2,0	100
5S0003H665600T	20 x 16	2,0 / 2,0	100
5S0003H666200T	20 x 18	2,0 / 2,0	100
5S0003H665100T	20 x 14	2,0 / 2,0	100
5S0003H695100T	20 x 14	2,25 / 2,0	100
5S0003H695600T	20 x 16	2,25 / 2,0	100
5S0003H696200T	20 x 18	2,25 / 2,0	100
5S0003H745600T	25 x 16	2,5 / 2,0	40
5S0003H746600T	25 x 20	2,5 / 2,0	40
5S0003H746900T	25 x 20	2,5 / 2,25	40
5S0003H775600T	26 x 16	3,0 / 2,0	40
5S0003H776600T	26 x 20	3,0 / 2,0	40
5S0003H776900T	26 x 20	3,0 / 2,25	40
5S0003H806600T	32 x 20	3,0 / 2,0	25
5S0003H806900T	32 x 20	3,0 / 2,25	25
5S0003H807400T	32 x 25	3,0 / 2,5	30
5S0003H807700T	32 x 26	3,0 / 3,0	30
5S0003H837400T	40 x 25	3,5 / 2,5	20
5S0003H837700T	40 x 26	3,5 / 3,0	20
5S0003H838000T	40 x 32	3,5 / 3,0	15
5S0003H878000T	50 x 32	4,0 / 3,0	15
5S0003H878300T	50 x 40	4,0 / 3,5	10
5S0003H918300T	63 X 40	4,5 / 3,5	7
5S0003H918700T	63 X 50	4,5 / 4,0	6

## ART. 5S00.10

**RACCORDO A T**  
TEE



CODICE CODE	MISURA SIZE	SPESSORE THICKNESS	SCATOLA BOX
5S0010H162000T	16 x 16 x 16	2,0	50
5S0010H182000T	18 x 18 x 18	2,0	40
5S0010H202000T	20 x 20 x 20	2,0	40
5S0010H202200T	20 x 20 x 20	2,25	40
5S0010H252500T	25 x 25 x 25	2,5	20
5S0010H263000T	26 x 26 x 26	3,0	20
5S0010H323000T	32 x 32 x 32	3,0	10
5S0010H403500T	40 x 40 x 40	3,5	6
5S0010H504000T	50 x 50 x 50	4,0	4
5S0010H634500T	63 X 63 X 63	4,5	1

## ART. 5S00.11

**RACCORDO A T MASCHIO**  
MALE TEE



CODICE CODE	MISURA SIZE	SPESSORE THICKNESS	SCATOLA BOX
5S0011H041620T	16 x 1/2" x 16	2,0	60
5S0011H041820T	18 x 1/2" x 18	2,0	40
5S0011H042020T	20 x 1/2" x 20	2,0	40
5S0011H042022T	20 x 1/2" x 20	2,25	40
5S0011H051820T	18 x 3/4" x 18	2,0	30
5S0011H052020T	20 x 3/4" x 20	2,0	30
5S0011H052022T	20 x 3/4" x 20	2,25	30
5S0011H052525T	25 x 3/4" x 25	2,5	25
5S0011H052630T	26 x 3/4" x 26	3,0	25
5S0011H103230T	32 x 1" x 32	3,0	10

## ART. 5S00.12

**RACCORDO A T FEMMINA**  
FEMALE TEE



CODICE CODE	MISURA SIZE	SPESSORE THICKNESS	SCATOLA BOX
5S0012H041620T	16 x 1/2" x 16	2,0	50
5S0012H041820T	18 x 1/2" x 18	2,0	40
5S0012H042020T	20 x 1/2" x 20	2,0	40
5S0012H042022T	20 x 1/2" x 20	2,25	40
5S0012H042525T	25 x 1/2" x 25	2,5	30
5S0012H042630T	26 x 1/2" x 26	3,0	30
5S0012H051820T	18 x 3/4" x 18	2,0	30
5S0012H052020T	20 x 3/4" x 20	2,0	30
5S0012H052022T	20 x 3/4" x 20	2,25	30
5S0012H052525T	25 x 3/4" x 25	2,5	25
5S0012H052630T	26 x 3/4" x 26	3,0	25
5S0012H102525T	25 x 1" x 25	2,5	20
5S0012H102630T	26 x 1" x 26	3,0	20
5S0012H103230T	32 x 1" x 32	3,0	10
5S0012H124035T	40 x 1"1/4 x 40	3,5	8
5S0012H145040T	50 x 1"1/2 x 50	4,0	4
5S0012H106345T	1" X 63	4,5	3

## RACCORDI A PRESSARE MULTIPINZA

### UNIVERSAL JAWS RADIAL PRESS FITTINGS

ART. **5S00.13**

**RACCORDO A T RIDOTTO**  
REDUCED TEE



CODICE CODE	MISURA SIZE	SPESSORE THICKNESS	SCATOLA BOX
5S0013H566656T	16 x 20 x 16	2,0 / 2,0 / 2,0	40
5S0013H566956T	16 x 20 x 16	2,0 / 2,25 / 2,0	40
5S0013H625656T	18 x 16 x 16	2,0 / 2,0 / 2,0	40
5S0013H625662T	18 x 16 x 18	2,0 / 2,0 / 2,0	40
5S0013H665166T	20 x 14 x 20	2,0 / 2,0 / 2,0	40
5S0013H695169T	20 x 14 x 20	2,25 / 2,0 / 2,25	40
5S0013H665656T	20 x 16 x 16	2,0 / 2,0 / 2,0	40
5S0013H695656T	20 x 16 x 16	2,25 / 2,0 / 2,0	40
5S0013H665666T	20 x 16 x 20	2,0 / 2,0 / 2,0	40
5S0013H695669T	20 x 16 x 20	2,25 / 2,0 / 2,25	40
5S0013H666262T	20 x 18 x 18	2,0 / 2,0 / 2,0	40
5S0013H696262T	20 x 18 x 18	2,25 / 2,0 / 2,0	40
5S0013H666266T	20 x 18 x 20	2,0 / 2,0 / 2,0	40
5S0013H696269T	20 x 18 x 20	2,25 / 2,0 / 2,25	40
5S0013H666656T	20 x 20 x 16	2,0 / 2,0 / 2,0	40
5S0013H696956T	20 x 20 x 16	2,25 / 2,25 / 2,0	40
5S0013H667466T	20 x 25 x 20	2,0 / 2,5 / 2,0	20
5S0013H697469T	20 x 25 x 20	2,25 / 2,5 / 2,25	20
5S0013H667766T	20 x 26 x 20	2,0 / 3,0 / 2,0	20
5S0013H697769T	20 x 26 x 20	2,25 / 3,0 / 2,25	20
5S0013H745656T	25 x 16 x 16	2,5 / 2,0 / 2,0	20
5S0013H745666T	25 x 16 x 20	2,5 / 2,0 / 2,0	20
5S0013H745669T	25 x 16 x 20	2,5 / 2,0 / 2,25	20
5S0013H745674T	25 x 16 x 25	2,5 / 2,0 / 2,5	20
5S0013H746274T	25 x 18 x 25	2,5 / 2,0 / 2,5	20
5S0013H746666T	25 x 20 x 20	2,5 / 2,0 / 2,0	20
5S0013H746969T	25 x 20 x 20	2,5 / 2,25 / 2,25	20
5S0013H746674T	25 x 20 x 25	2,5 / 2,0 / 2,5	20
5S0013H746974T	25 x 20 x 25	2,5 / 2,25 / 2,5	20
5S0013H747456T	25 x 25 x 16	2,5 / 2,5 / 2,0	20
5S0013H747466T	25 x 25 x 20	2,5 / 2,5 / 2,0	20
5S0013H747469T	25 x 25 x 20	2,5 / 2,5 / 2,25	20
5S0013H748074T	25 x 32 x 25	2,5 / 3,0 / 2,5	15
5S0013H775656T	26 x 16 x 16	3,0 / 2,0 / 2,0	20
5S0013H775666T	26 x 16 x 20	3,0 / 2,0 / 2,0	20
5S0013H775669T	26 x 16 x 20	3,0 / 2,0 / 2,25	20
5S0013H775677T	26 x 16 x 26	3,0 / 2,0 / 3,0	20
5S0013H776277T	26 x 18 x 26	3,0 / 2,0 / 3,0	20
5S0013H776666T	26 x 20 x 20	3,0 / 2,0 / 2,0	20
5S0013H776969T	26 x 20 x 20	3,0 / 2,25 / 2,25	20
5S0013H776677T	26 x 20 x 26	3,0 / 2,0 / 3,0	20
5S0013H776977T	26 x 20 x 26	3,0 / 2,25 / 3,0	20
5S0013H77756T	26 x 26 x 16	3,0 / 3,0 / 2,0	20

5S0013H777766T	26 x 26 x 20	3,0 / 3,0 / 2,0	20
5S0013H777769T	26 x 26 x 20	3,0 / 3,0 / 2,25	20
5S0013H778077T	26 x 32 x 26	3,0 / 3,0 / 3,0	15
5S0013H805680T	32 x 16 x 32	3,0 / 2,0 / 3,0	10
5S0013H806666T	32 x 20 x 20	3,0 / 2,0 / 2,0	10
5S0013H806969T	32 x 20 x 20	3,0 / 2,25 / 2,25	10
5S0013H806674T	32 x 20 x 25	3,0 / 2,0 / 2,5	15
5S0013H806974T	32 x 20 x 25	3,0 / 2,25 / 2,5	15
5S0013H806677T	32 x 20 x 26	3,0 / 2,0 / 3,0	15
5S0013H806977T	32 x 20 x 26	3,0 / 2,25 / 3,0	15
5S0013H806680T	32 x 20 x 32	3,0 / 2,0 / 3,0	10
5S0013H806980T	32 x 20 x 32	3,0 / 2,25 / 3,0	10
5S0013H807474T	32 x 25 x 25	3,0 / 2,5 / 2,5	10
5S0013H807480T	32 x 25 x 32	3,0 / 2,5 / 3,0	10
5S0013H807777T	32 x 26 x 26	3,0 / 3,0 / 3,0	10
5S0013H807780T	32 x 26 x 32	3,0 / 3,0 / 3,0	10
5S0013H837780T	40 x 26 x 32	3,5 / 3,0 / 3,0	8
5S0013H837783T	40 x 26 x 40	3,5 / 3,0 / 3,5	6
5S0013H838080T	40 x 32 x 32	3,5 / 3,0 / 3,0	8
5S0013H838083T	40 x 32 x 40	3,5 / 3,0 / 3,5	6
5S0013H877787T	50 x 26 x 50	4,0 / 3,0 / 4,0	6
5S0013H878087T	50 x 32 x 50	4,0 / 3,0 / 4,0	4
5S0013H878387T	50 x 50 x 63	4,5 / 4,0 / 4,5	4
5S0013H918791T	63 x 50 x 50	4,5 / 4,0 / 4,5	2
5S0013H918391T	63 X 40 X 63	4,5 / 4,0 / 4,5	2

"Misura" si riferisce alle dimensioni del raccordo.  
"Size" refers to the fitting dimensions.

Senso di lettura per raccordi a T.  
Way to read the tee (international system).

## RACCORDI A PRESSURE MULTIPINZA

UNIVERSAL JAWS RADIAL PRESS FITTINGS

## ART. 5S00.20

ANGOLO DOPPIO  
DOUBLE ELBOW

CODICE CODE	MISURA SIZE	SPESSORE THICKNESS	SCATOLA BOX
5S0020H162000T	16 x 16	2,0	100
5S0020H182000T	18 x 18	2,0	60
5S0020H202000T	20 x 20	2,0	60
5S0020H202200T	20 x 20	2,25	60
5S0020H252500T	25 x 25	2,5	40
5S0020H263000T	26 x 26	3,0	40
5S0020H323000T	32 x 32	3,0	20
5S0020H403500T	40 x 40	3,5	10
5S0020H504000T	50 x 50	4,0	6
5S0020H634500T	63 X 63	4,5	3

## ART. 5S00.22

ANGOLO FEMMINA  
FEMALE ELBOW

CODICE CODE	MISURA SIZE	SPESSORE THICKNESS	SCATOLA BOX
5S0022H041620T	1/2" x 16	2,0	80
5S0022H041820T	1/2" x 18	2,0	60
5S0022H042020T	1/2" x 20	2,0	60
5S0022H042022T	1/2" x 20	2,25	60
5S0022H042525T	1/2" x 25	2,5	30
5S0022H042630T	1/2" x 26	3,0	30
5S0022H051820T	3/4" x 18	2,0	50
5S0022H052020T	3/4" x 20	2,0	50
5S0022H052022T	3/4" x 20	2,25	50
5S0022H052525T	3/4" x 25	2,5	30
5S0022H052630T	3/4" x 26	3,0	30
5S0022H102525T	1" x 25	2,5	20
5S0022H102630T	1" x 26	3,0	20
5S0022H103230T	1" x 32	3,0	25
5S0022H124035T	1"1/4 x 40	3,5	12
5S0022H145040T	1"1/2 x 50	4,0	8

## ART. 5S00.21

ANGOLO MASCHIO  
MALE ELBOW

CODICE CODE	MISURA SIZE	SPESSORE THICKNESS	SCATOLA BOX
5S0021H041620T	1/2" x 16	2,0	100
5S0021H041820T	1/2" x 18	2,0	60
5S0021H042020T	1/2" x 20	2,0	60
5S0021H042022T	1/2" x 20	2,25	60
5S0021H051820T	3/4" x 18	2,0	60
5S0021H052020T	3/4" x 20	2,0	60
5S0021H052022T	3/4" x 20	2,25	60
5S0021H052525T	3/4" x 25	2,5	40
5S0021H052630T	3/4" x 26	3,0	40
5S0021H103230T	1" x 32	3,0	20
5S0021H124035T	1"1/4 x 40	3,5	12
5S0021H145040T	1"1/2 x 50	4,0	6
5S0021H206345T	2" X 63	4,5	4

## ART. 5S00.23

ATTACCO A MURO CON FLANGIA 3 FORI  
WALLPLATE ELBOW WITH 3 HOLES

CODICE CODE	MISURA SIZE	SPESSORE THICKNESS	SCATOLA BOX
5S0023H041620T	1/2" x 16	2,0	50
5S0023H041820T	1/2" x 18	2,0	50
5S0023H042020T	1/2" x 20	2,0	40
5S0023H042022T	1/2" x 20	2,25	40
5S0023H052020T	3/4" x 20	2,0	30
5S0023H052022T	3/4" x 20	2,25	30
5S0023H052525T	3/4" x 25	2,5	25
5S0023H052630T	3/4" x 26	3,0	25
<b>COMPACT (35 mm)</b>			
5S0023H041635T	1/2" x 16	2,0	50

# 5S00

## RACCORDI A PRESSARE MULTIPINZA

UNIVERSAL JAWS RADIAL PRESS FITTINGS

### ART. 5S00.34

#### ATTACCO A MURO DOPPIO CON FLANGIA 3 FORI

DOUBLE WALLPLATE ELBOW WITH 3 HOLES



CODICE CODE	MISURA SIZE	SPESSORE THICKNESS	SCATOLA BOX
5S0034H160416T	16 x 1/2" x 16	2,0	15
5S0034H200420T	20 x 1/2" x 20	2,0	15
5S0034H042022T	20 x 1/2" x 20	2,25	15

### ART. 5S00.M4

#### VALVOLA A SFERA A PRESSARE

PRESS BALL VALVE



CODICE CODE	MISURA SIZE	SPESSORE THICKNESS	SCATOLA BOX
5S00M4H162000T	16 x 16	2,0	48
5S00M4H202000T	20 x 20	2,0	36
5S00M4H202200T	20 x 20	2,25	36

### ART. 5S00.M6

#### VALVOLA A SFERA A PRESSARE FEMMINA

FEMALE PRESS BALL VALVE



CODICE CODE	MISURA SIZE	SPESSORE THICKNESS	SCATOLA BOX
5S00M6H041620T	1/2" x 16	2,0	60
5S00M6H042020T	1/2" x 20	2,0	48
5S00M6H042022T	1/2" x 20	2,25	48

### ART. 5S00.M7

#### VALVOLA A SFERA A PRESSARE MASCHIO

MALE PRESS BALL VALVE



CODICE CODE	MISURA SIZE	SPESSORE THICKNESS	SCATOLA BOX
5S00M7H041620T	1/2" x 16	2,0	60
5S00M7H042020T	1/2" x 20	2,0	48
5S00M7H042022T	1/2" x 20	2,25	48

## RACCORDI A PRESSARE MULTIPINZA

### UNIVERSAL JAWS RADIAL PRESS FITTINGS

ART. **5S00.C6**

**STAFFA E RACCORDI TERMINALI**  
BRACKET AND END FITTINGS



CODICE CODE	MISURA SIZE	SPESSORE THICKNESS	SCATOLA BOX
5S00C6H045656T	1/2" x 16	2,0	16

ART. **5S00.C7**

**RACCORDO DIRITTO SEDE PIANA CON GIRELLO**  
STRAIGHT FITTING WITH LOOSE NUT AND FLAT WASHER



CODICE CODE	MISURA SIZE	SPESSORE THICKNESS	SCATOLA BOX
5S00C7H041620T	1/2" x 16	2,0	100
5S00C7H051620T	3/4" x 16	2,0	100
5S00C7H051820T	3/4" x 18	2,0	60
5S00C7H052020T	3/4" x 20	2,0	60
5S00C7H052022T	3/4" x 20	2,25	60
5S00C7H052525T	3/4" x 25	2,5	60
5S00C7H052630T	3/4" x 26	3,0	60
5S00C7H102525T	1" x 25	2,5	60
5S00C7H102630T	1" x 26	3,0	60
5S00C7H123230T	1"1/4 x 32	3,0	25

ART. **5S00.G3**

**ANGOLO CON DADO GIREVOLE E SEDE PIANA**  
ELBOW WITH LOOSE NUT FLAT SURFACE



CODICE CODE	MISURA SIZE	SPESSORE THICKNESS	SCATOLA BOX
5S00G3H052020T	3/4" x 20	2,0	50
5S00G3H052022T	3/4" x 20	2,25	50
5S00G3H052525T	3/4" x 25	2,5	30
5S00G3H052630T	3/4" x 26	3,0	30

ART. **5S00.I5**

**RACCORDO DIRITTO EUROCONO CON GIRELLO**  
STRAIGHT FITTING WITH LOOSE NUT AND EUROCONUS



CODICE CODE	MISURA SIZE	SPESSORE THICKNESS	SCATOLA BOX
5S00I5H041620T	1/2" x 16	2,0	100
5S00I5H042020T	1/2" x 20	2,0	100
5S00I5H042022T	1/2" x 20	2,25	100
5S00I5H051620T	3/4" x 16	2,0	100
5S00I5H051820T	3/4" x 18	2,0	100
5S00I5H052020T	3/4" x 20	2,0	80
5S00I5H052022T	3/4" x 20	2,25	80

ART. **5S00.I5.N**

**RACCORDO DIRITTO EUROCONO NICHELATO CON GIRELLO**

NICKEL PLATED STRAIGHT FITTING WITH LOOSE NUT AND EUROCONUS



CODICE CODE	MISURA SIZE	SPESSORE THICKNESS	SCATOLA BOX
5S00I5N041620T	1/2" x 16	2,0	100
5S00I5N042020T	1/2" x 20	2,0	100
5S00I5N042022T	1/2" x 20	2,25	100
5S00I5N051620T	3/4" x 16	2,0	100
5S00I5N051820T	3/4" x 18	2,0	100
5S00I5N052020T	3/4" x 20	2,0	80
5S00I5N052022T	3/4" x 20	2,25	80

ART. **5S00.30**

**CURVA TERMINALE PER RADIATORI - TUBO RAME Ø 15 (L = 150)**

RADIATOR END CONNECTION - COPPER PIPE Ø 15 (L = 150)



CODICE CODE	MISURA SIZE	SPESSORE THICKNESS	SCATOLA BOX
5S0030N161501T	16	2,0	40

# 5S00

## RACCORDI A PRESSARE MULTIPINZA

UNIVERSAL JAWS RADIAL PRESS FITTINGS

### ART. 5S00.43

**PROLUNGA PER VALVOLA A SFERA A INCASSO**  
EXTENSION FOR INWALL BALL VALVE



CODICE CODE	SCATOLA BOX
5S0043H221900H	50

### ART. 5S00.84 Blue

**SET MANOPOLA BLU E ROSONE PER VALVOLE A INCASSO -  
PER ART. PR5S.75**

BLUE HANDLE AND PLATE FOR INWALL VALVE - FOR  
ART. PR5S.75



CODICE CODE	SCATOLA BOX
5S0084C0816B1H	1

### ART. PR5S.75

**VALVOLA A SFERA A INCASSO**  
INWALL BALL VALVE



CODICE CODE	MISURA SIZE	SPESSORE THICKNESS	SCATOLA BOX
PR5S75N162000T	16 x 16	2,0	12
PR5S75N202000T	20 x 20	2,0	12
PR5S75N202200T	20 x 20	2,25	12

### ART. 5S00.84 Red

**SET MANOPOLA ROSSA E ROSONE PER VALVOLE A INCASSO -  
PER ART. PR5S.75**

RED HANDLE AND PLATE FOR INWALL VALVE - FOR ART.  
PR5S.75



CODICE CODE	SCATOLA BOX
5S0084C0816R1H	1

### ART. 5S00.84

**SET LEVA E ROSONE PER VALVOLE A INCASSO -  
PER ART. PR5S.75**

LEVER AND PLATE FOR INWALL VALVE - FOR ART.  
PR5S.75



CODICE CODE	SCATOLA BOX
5S0084C081602H	1

### ART. 5W00.84

**SET CAPPUCCIO E ROSONE PER VALVOLA INCASSO -  
PER ART. PR5S.75**

COVER AND PLATE FOR INWALL VALVE - FOR ART.  
PR5S.75



CODICE CODE	SCATOLA BOX
5W0084C081600H	1

### ART. **TB00.20** Coils

#### TUBO MULTISTRATO

MULTILAYER PIPE



CODICE CODE	MISURA SIZE	ROTOLO COIL	BANCALE PALLET
TB0020H162000H	16 x 2,0	100 m	1200 m
TB0020H162020H	16 x 2,0	200 m	2000 m
TB0020H162050H	16 x 2,0	500 m	5000 m
TB0020H182002H	18 x 2,0	100 m	1100 m
TB0020H202000H	20 x 2,0	100 m	1200 m
TB0020H263000H	26 x 3,0	50 m	600 m
TB0020H323002H	32 x 3,0	50 m	500 m

### ART. **TB00.20** Bars

#### TUBO MULTISTRATO IN BARRA

MULTILAYER PIPE IN BAR



CODICE CODE	MISURA SIZE	ROTOLO COIL	BANCALE* PALLET*
TB0020H162005H	16 x 2,0	-	100 m
TB0020H202005H	20 x 2,0	-	75 m
TB0020H263005H	26 x 3,0	-	60 m
TB0020H323005H	32 x 3,0	-	40 m
TB0020H4035H5H	40 x 3,5	-	50 m
TB0020H5040H5H	50 x 4,0	-	35 m
TB0020H6345H5H	63 X 4,5	-	20 m

\* Quantità diverse avranno un addebito di 25 € per imballo.

\* For quantities different from standard, we will debit you € 25 for each packaging.

### ART. **TB00.20** White Frio

#### TUBO MULTISTRATO RIVESTITO BIANCO (9/ 13 mm)

MULTILAYER PIPE WITH WHITE INSULATION (9 / 13 mm)



CODICE CODE	MISURA SIZE	ROTOLO COIL	BANCALE PALLET
TB0020W162050	16 x 2,0	50 m	500m
TB0020W202050A	20 x 2,0	50 m	500m
TB0020W263050A	26 x 3,0	50 m	450m
TB0020W323025A	32 x 3,0	25 m	225m

### ART. **TB00.20** Red Therm

#### TUBO MULTISTRATO RIVESTITO ROSSO (6 mm)

MULTILAYER PIPE WITH RED INSULATION (6 mm)



CODICE CODE	MISURA SIZE	ROTOLO COIL	BANCALE PALLET
TB0020R162000H	16 x 2,0	50 m	700 m
TB0020R202000H	20 x 2,0	50 m	600 m
TB0020R263000H	26 x 3,0	50 m	500 m
TB0020R323000H	32 x 3,0	25 m	250 m

### ART. **TB00.20** Grey Therm

#### TUBO MULTISTRATO RIVESTITO GRIGIO (6 mm)

MULTILAYER PIPE WITH GREY INSULATION (6 mm)



CODICE CODE	MISURA SIZE	ROTOLO COIL	BANCALE PALLET
TB0020G162000H	16 x 2,0	50 m	700 m
TB0020G202000H	20 x 2,0	50 m	600 m
TB0020G263000H	26 x 3,0	50 m	500 m
TB0020G323000H	32 x 3,0	25 m	250 m

### ART. **TB00.20** Blue Therm

#### TUBO MULTISTRATO RIVESTITO BLU (6 mm)

MULTILAYER PIPE WITH BLUE INSULATION (6 mm)



CODICE CODE	MISURA SIZE	ROTOLO COIL	BANCALE PALLET
TB0020B162000H	16 x 2,0	50 m	700 m
TB0020B202000H	20 x 2,0	50 m	600 m
TB0020B263000H	26 x 3,0	50 m	500 m
TB0020B323000H	32 x 3,0	25 m	250 m



# TUBI MULTISTRATO E ACCESSORI

## MULTILAYER PIPES AND ACCESSORIES

### ART. **AC00.92** Mini

#### **PRESSATRICE "MINI" COMPLETA DI GANASCE - PROFILO TH**

"MINI" PRESS MACHINE WITH JAWS - TH PROFILE



CODICE CODE	SET PINZE JAWS	SCATOLA BOX
AC0092H2000000	16 - 20 - 26	1

### ART. **AC00.92** Big

#### **PRESSATRICE "BIG" COMPLETA DI GANASCE - PROFILO TH**

"BIG" PRESS MACHINE WITH JAWS - TH PROFILE



CODICE CODE	SET PINZE JAWS	SCATOLA BOX
AC0092H3000000	16 - 20 - 26	1

### ART. **AC00.80** Mini

#### **PINZE PER PRESSATRICE "MINI" - PROFILO TH**

JAWS FOR "MINI" PRESS MACHINE - TH PROFILE



CODICE CODE	MISURA SIZE	SCATOLA BOX
AC0080T14M000H	14	1
AC0080T16M000H	16	1
AC0080T18M000H	18	1
AC0080T20M000H	20	1
AC0080T26M000H	26	1
AC0080T32M000H	32	1

### ART. **AC00.80** Big

#### **PINZE PER PRESSATRICE "BIG" - PROFILO TH**

JAWS FOR "BIG" PRESS MACHINE - TH PROFILE



CODICE CODE	MISURA SIZE	SCATOLA BOX
AC0080T120000H	12	1
AC0080T140000H	14	1
AC0080T160000H	16	1
AC0080T180000H	18	1
AC0080T200000H	20	1
AC0080T260000H	26	1
AC0080T320000H	32	1

ART. **PZ56.00**

**PRESSATRICE MANUALE**  
MANUAL PRESS MACHINE



CODICE CODE	MISURA SIZE	SCATOLA BOX
PZ5600H162000H	Ø 16 ÷ Ø 20	1

ART. **AC00.93**

**VALIGETTA CON SET CALBRATORI/SBAVATORI**  
PLASTIC CASE WITH DEBURRING TOOLS SET



CODICE CODE	MISURA SIZE	SCATOLA BOX
AC0093H162600A	16 x 20 x 26	1

ART. **AC00.80** Manual

**INSERTO PER PRESSATRICE MANUALE**  
ADAPTER FOR MANUAL PRESS MACHINE



CODICE CODE	MISURA SIZE	SCATOLA BOX
----------------	----------------	----------------

**PROFILO TH**

TH PROFILE

AC0080T160001H	16	1
AC0080T180001H	18	1
AC0080T200001H	20	1

**PROFILO U**

U PROFILE

AC0080U160001H	16	1
AC0080U180001H	18	1
AC0080U200001H	20	1

ART. **CS50.00**

**CALIBRO SBAVATORE**  
REAMER/DEBURRER



CODICE CODE	MISURA SIZE	SCATOLA BOX
CS5000H142000A	14 x 2,0	1
CS5000H162000A	16 x 2,0	1
CS5000H182000A	18 x 2,0	1
CS5000H202000A	20 x 2,0	1
CS5000H263000A	26 x 3,0	1
CS5000H323000A	32 x 3,0	1
CS5000H403500A	40 x 3,5	1
CS5000H504000A	50 x 4,0	1

ART. **MA00.90**

**MANIGLIA**  
HANDLE



CODICE CODE	MISURA SIZE	SCATOLA BOX
MA0090N500000H	"T"	1

#### CAMPI DI APPLICAZIONE

I raccordi a pressare sono utilizzati per l'adduzione dell'acqua calda e fredda in impianti idrici sanitari e di riscaldamento.

- Temperatura massima di esercizio: 90°C.
- Temperatura minima: -20°C[\*].
- Pressione massima di esercizio: 10 Bar.

I raccordi sono conformi alla norma **ISO 21003-3** "Sistemi di tubazioni multistrato per le installazioni di acqua calda e fredda all'interno degli edifici.

Tutte le filettature sono a norma e conformi alla **UNI EN 10226-1**

- Filettatura di tubazioni per accoppiamento con tenuta sul filetto.

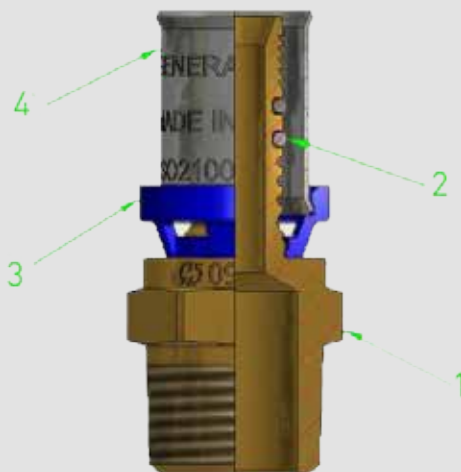
#### FIELDS OF APPLICATION

Radial press fittings are used for supply of hot and cold water in sanitary and heating installations.

- Maximum operating temperature: 90°C.
- Minimum temperature: -20°C[\*].
- Maximum working pressure: 10 Bar.

Fittings comply with **ISO 21003-3** law. "Multilayer piping systems for hot and cold water supply installations inside buildings.

Threads comply with **UNI EN 10226-1** law - Piping thread for coupling on the thread.



Tab. 1

MATERIALI IMPIEGATI - MATERIALS USED			
		Normativa - Regulation	Materiali - Materials
1	Stampato - Hot stamped	<b>UNI EN 12165-CW617N-CuZn40Pb2</b>	<b>Cu57-59 Pb1.6-2.2 Sn&lt;0.3 Fe&lt;0.3 Ni&lt;0.2 Al&lt;0.05 Zn Diff.</b>
2	O- ring	<b>UNI EN 681-1 Tipo WB</b>	<b>EPDM PEROX 70</b>
3	Anello (isolante) - Ring (insulating)		<b>NYLON</b>
4	Bussola - Bush		<b>ACCIAIO INOX AISI 304 SOLUBILIZZATO</b>

La materia prima è composta da stampati e barre di ottone; la bussola di pressatura è realizzata in acciaio Inox, come indicato nella Tabella 1.

Tutte le filettature di attacco alla rete sono realizzate secondo la normativa per filetti gas conici a tenuta sul filetto. Per il montaggio con questo tipo di filettatura si consiglia l'utilizzo di Teflon liquido, evitando canapa o elementi che potrebbero comprometterne il funzionamento.

The raw material is made up of hot-stamped pieces and brass bars; the pressing bush is made up of Inox steel, as shown in Table 1.

All threading connections to the system are manufactured in compliance with the regulation for conical gas threading with seal on the thread. In order to assemble this type of thread, the use of liquid Teflon is recommended. Please avoid hemp or other elements that could damage the proper functioning.

## CLASSIFICAZIONE DELLE CONDIZIONI DI ESERCIZIO CLASSIFICATION OF SERVICE CONDITIONS Tab. 2

Classe di applicazione Application class	Temperatura di progetto Installation temperature	Tempo <sup>b)</sup> a T <sub>D</sub> Time <sup>b)</sup> at T <sub>D</sub>	T <sub>max</sub> T <sub>max</sub>	Tempo a T <sub>max</sub> Time at T <sub>max</sub>	T <sub>mal</sub> T <sub>mal</sub>	Tempo a T <sub>mal</sub> Time at T <sub>mal</sub>	Campo di applicazione Field of application
	T <sup>p</sup> °C	anni years	°C	anni years	°C	h	
2 <sup>a)</sup>	70	49	80	1	95	100	Fornitura di acqua calda Hot water supply (70 °C)
4 <sup>b)</sup>	20	2,5	70	2,5	100	100	Riscaldamento a pavimento e radiatori a bassa temperatura Underfloor heating and low-temperature radiators
	plus cumulative						
	40	20					
5 <sup>b)</sup>	60	25	90	1	100	100	Radiatori ad alta temperatura High-temperature radiators
	plus cumulative						
	80	10					

<sup>b)</sup> Quando risultasse più di una temperatura di progetto per ogni classe, i tempi dovrebbero essere aggregati.

<sup>b)</sup> In case more than one installation temperature appears for each class, times should be aggregated.

## Potabilità

I materiali utilizzati sono di alta qualità e in linea con l'applicazione del Decreto Ministeriale N°174 del 06/04/2004 Regolamento concernente i materiali e gli oggetti che possono essere utilizzati negli impianti fissi di captazione, trattamento, adduzione e distribuzione delle acque destinate al consumo umano. – Norma Tedesca DIN 50930-6 Potabilità ottoni – Direttiva 2002/95/EC PE.6 Allegato ROHS.

## Drinkableness

The raw materials used are of high quality and comply with the Ministerial Decree N°174 dated 06/04/2004 concerning the materials and the items used in fixed installations for water collection, treatment and supply. – German Law DIN 50930-6 Brass to be used for drinking water – Directive 2002/95/EC PE.6 Attachmant ROHS.

(\* Profili di pinza idonei alla pressatura:

- Ø16x2: Ganascia tipo TH-H-U-B
- Ø20x2: Ganascia tipo TH-H-U-B
- Ø25x2.5: Ganascia tipo TH-H-U
- Ø26x3: Ganascia tipo TH-H-B
- Ø32x3: Ganascia tipo TH-H-U-B
- Ø40x3.5: Ganascia tipo TH\*-H-U (\*Solo ganascia tipo KLAUKE)
- Ø50x4: Ganascia tipo TH-H-U
- Ø63x4.5: Ganascia tipo TH-U

(\* Pressing jaws profiles:

- Ø16x2: TH-H-U-B profile
- Ø20x2: TH-H-U-B profile
- Ø25x2.5: TH-H-U profile
- Ø26x3: TH-H-B profile
- Ø32x3: TH-H-U-B profile
- Ø40x3.5: TH\*-H-U profile (\*Only KLAUKE type)
- Ø50x4: TH-H-U profile
- Ø63x4.5: TH-U profile



## ISTRUZIONI DI MONTAGGIO ASSEMBLING INSTRUCTIONS



Tagliare il tubo perpendicolarmente al suo asse utilizzando un apposito utensile taglia tubi.

Cut the pipe perpendicularly to its axis using an appropriate pipe-cutting tool.



Procedere alla calibratura e sbavatura del tubo con apposito calibro, eliminando eventuali trucioli residui.

Calibrate the pipe using special reamer, removing possible residual chips.



Calzare il tubo sul portatubo del raccordo fino a battuta con l'anello plastico. Il tubo è inserito correttamente quando è visibile attraverso le finestre d'ispezione dell'anello.

Insert the pipe into the pipe holder until the pipe stops at the plastic ring. Check that the pipe is properly inserted and visible through inspection windows.



Posizionare la pinza di pressatura (\*) e azionare il pulsante elettrico della macchina pressatrice. Il non corretto posizionamento della pinza potrebbe pregiudicare il funzionamento del sistema.

Place the pressing jaws (\*) and operate the electric button of the pressing machine. An improper placing of the jaws could damage the proper system functioning.

**5S00**

SCHEDA TECNICA  
TECHNICAL SHEET

RACCORDI A PRESSARE MULTIPINZA  
UNIVERSAL JAWS RADIAL PRESS FITTINGS

## RACCORDI A PRESSARE MULTIPINZA PER GAS/ACQUA

UNIVERSAL JAWS RADIAL PRESS FITTINGS FOR GAS

### ART. 5G00.00

**RACCORDO DIRITTO DOPPIO**  
DOUBLE STRAIGHT FITTING



CODICE CODE	MISURA SIZE	SPESSORE THICKNESS	SCATOLA BOX
5G0000H162000T	16 x 16	2,0	100
5G0000H202000T	20 x 20	2,0	90
5G0000H263000T	26 x 26	3,0	40
5G0000H323000T	32 x 32	3,0	25

### ART. 5G00.02

**RACCORDO DIRITTO FEMMINA**  
FEMALE STRAIGHT FITTING



CODICE CODE	MISURA SIZE	SPESSORE THICKNESS	SCATOLA BOX
5G0002H041620T	1/2" x 16	2,0	100
5G0002H042020T	1/2" x 20	2,0	80
5G0002H042630T	1/2" x 26	3,0	50
5G0002H051620T	3/4" x 16	2,0	50
5G0002H052020T	3/4" x 20	2,0	50
5G0002H052630T	3/4" x 26	3,0	40
5G0002H102630T	1" x 26	3,0	40
5G0002H103230T	1" x 32	3,0	30

### ART. 5G00.01

**RACCORDO DIRITTO MASCHIO**  
MALE STRAIGHT FITTING



CODICE CODE	MISURA SIZE	SPESSORE THICKNESS	SCATOLA BOX
5G0001H041620T	1/2" x 16	2,0	120
5G0001H042020T	1/2" x 20	2,0	100
5G0001H042630T	1/2" x 26	3,0	50
5G0001H051620T	3/4" x 16	2,0	90
5G0001H052020T	3/4" x 20	2,0	80
5G0001H052630T	3/4" x 26	3,0	50
5G0001H102630T	1" x 26	3,0	40
5G0001H103230T	1" x 32	3,0	40

### ART. 5G00.03

**RACCORDO DIRITTO RIDOTTO**  
REDUCED STRAIGHT FITTING



CODICE CODE	MISURA SIZE	SPESSORE THICKNESS	SCATOLA BOX
5G0003H665600T	20 x 16	2,0 / 2,0	100
5G0003H775600T	26 x 16	3,0 / 2,0	40
5G0003H776600T	26 x 20	3,0 / 2,0	40
5G0003H806600T	32 x 20	3,0 / 2,0	25
5G0003H807700T	32 x 26	3,0 / 3,0	30

## RACCORDI A PRESSURE MULTIPINZA PER GAS/ACQUA

UNIVERSAL JAWS RADIAL PRESSFITTINGS FOR GAS

### ART. 5G00.10

#### RACCORDO A T TEE



CODICE CODE	MISURA SIZE	SPESSORE THICKNESS	SCATOLA BOX
5G0010H162000T	16 x 16 x 16	2,0	50
5G0010H202000T	20 x 20 x 20	2,0	40
5G0010H263000T	26 x 26 x 26	3,0	20
5G0010H323000T	32 x 32 x 32	3,0	10

### ART. 5G00.11

#### RACCORDO A T MASCHIO MALE TEE



CODICE CODE	MISURA SIZE	SPESSORE THICKNESS	SCATOLA BOX	PREZZO € PRICE €
5G0011H041620T	16 x 1/2" x 16	2,0	60	6,13
5G0011H042020T	20 x 1/2" x 20	2,0	40	7,38
5G0011H052020T	20 x 3/4" x 20	2,0	30	9,01
5G0011H052630T	26 x 3/4" x 26	3,0	25	13,22
5G0011H103230T	32 x 1" x 32	3,0	10	19,34

### ART. 5G00.12

#### RACCORDO A T FEMMINA FEMALE TEE



CODICE CODE	MISURA SIZE	SPESSORE THICKNESS	SCATOLA BOX
5G0012H041620T	16 x 1/2" x 16	2,0	50
5G0012H042020T	20 x 1/2" x 20	2,0	40
5G0012H042630T	26 x 1/2" x 26	3,0	30
5G0012H052020T	20 x 3/4" x 20	2,0	30
5G0012H052630T	26 x 3/4" x 26	3,0	25
5G0012H102630T	26 x 1" x 26	3,0	20
5G0012H103230T	32 x 1" x 32	3,0	10

### ART. 5G00.13

#### RACCORDO A T RIDOTTO REDUCED TEE



CODICE CODE	MISURA SIZE	SPESSORE THICKNESS	SCATOLA BOX
	1   2   3		
5G0013H566656T	16 x 20 x 16	2,0 / 2,0 / 2,0	40
5G0013H666566T	20 x 16 x 16	2,0 / 2,0 / 2,0	40
5G0013H666666T	20 x 16 x 20	2,0 / 2,0 / 2,0	40
5G0013H666656T	20 x 20 x 16	2,0 / 2,0 / 2,0	40
5G0013H6667766T	20 x 26 x 20	2,0 / 3,0 / 2,0	20
5G0013H775656T	26 x 16 x 16	3,0 / 2,0 / 2,0	20
5G0013H775666T	26 x 16 x 20	3,0 / 2,0 / 2,0	20
5G0013H775677T	26 x 16 x 26	3,0 / 2,0 / 3,0	20
5G0013H776666T	26 x 20 x 20	3,0 / 2,0 / 2,0	20
5G0013H776677T	26 x 20 x 26	3,0 / 2,0 / 3,0	20
5G0013H777756T	26 x 26 x 16	3,0 / 3,0 / 2,0	20
5G0013H777766T	26 x 26 x 20	3,0 / 3,0 / 2,0	20
5G0013H778077T	26 x 32 x 26	3,0 / 3,0 / 3,0	15
5G0013H805680T	32 x 16 x 32	3,0 / 2,0 / 3,0	10
5G0013H806666T	32 x 20 x 20	3,0 / 2,0 / 2,0	10
5G0013H806677T	32 x 20 x 26	3,0 / 2,0 / 3,0	15
5G0013H806680T	32 x 20 x 32	3,0 / 2,0 / 3,0	10
5G0013H807777T	32 x 26 x 26	3,0 / 3,0 / 3,0	10
5G0013H807780T	32 x 26 x 32	3,0 / 3,0 / 3,0	10
5G0013H808066T	32 x 32 x 20	3,0 / 3,0 / 2,0	10

"Misura" si riferisce alle dimensioni del raccordo.  
"Size" refers to the fitting dimensions.

Senso di lettura per raccordi a T.  
Way to read the tee (international system).





## RACCORDI A PRESSARE MULTIPINZA PER GAS/ACQUA

UNIVERSAL JAWS RADIAL PRESSFITTINGS FOR GAS

### ART. 5G00.20

**ANGOLO DOPPIO**  
DOUBLE ELBOW



CODICE CODE	MISURA SIZE	SPESSORE THICKNESS	SCATOLA BOX
5G0020H162000T	16 x 16	2,0	100
5G0020H202000T	20 x 20	2,0	60
5G0020H263000T	26 x 26	3,0	40
5G0020H323000T	32 x 32	3,0	20

### ART. 5G00.23

**ATTACCO A MURO CON FLANGIA 3 FORI**  
WALLPLATE ELBOW WITH 3 HOLES



CODICE CODE	MISURA SIZE	SPESSORE THICKNESS	SCATOLA BOX
5G0023H041620T	1/2" x 16	2,0	50
5G0023H042020T	1/2" x 20	2,0	40
5G0023H052020T	3/4" x 20	2,0	30
5G0023H052630T	3/4" x 26	3,0	25

### ART. 5G00.21

**ANGOLO MASCHIO**  
MALE ELBOW



CODICE CODE	MISURA SIZE	SPESSORE THICKNESS	SCATOLA BOX
5G0021H041620T	1/2" x 16	2,0	100
5G0021H042020T	1/2" x 20	2,0	60
5G0021H052020T	3/4" x 20	2,0	60
5G0021H052630T	3/4" x 26	3,0	40
5G0021H103230T	1" x 32	3,0	20

### ART. 5G00.C7

**RACCORDO DIRITTO SEDE PIANA CON GIRELLO**  
STRAIGHT FITTING WITH LOOSE NUT AND FLAT WASHER



CODICE CODE	MISURA SIZE	SPESSORE THICKNESS	SCATOLA BOX
5G00C7H051620T	3/4" x 16	2,0	100
5G00C7H052020T	3/4" x 20	2,0	60
5G00C7H052630T	3/4" x 26	3,0	60
5G00C7H102630T	1" x 26	3,0	60

### ART. 5G00.22

**ANGOLO FEMMINA**  
FEMALE ELBOW



CODICE CODE	MISURA SIZE	SPESSORE THICKNESS	SCATOLA BOX
5G0022H041620T	1/2" x 16	2,0	80
5G0022H042020T	1/2" x 20	2,0	60
5G0022H042630T	1/2" x 26	3,0	30
5G0022H052020T	3/4" x 20	2,0	50
5G0022H052630T	3/4" x 26	3,0	30
5G0022H102630T	1" x 26	3,0	20
5G0022H103230T	1" x 32	3,0	25

### ART. 5G00.G3

**ANGOLO CON DADO GIREVOLE E SEDE PIANA**  
ELBOW WITH LOOSE NUT FLAT SURFACE



CODICE CODE	MISURA SIZE	SPESSORE THICKNESS	SCATOLA BOX
5G00G3H052020T	3/4" x 20	2,0	50
5G00G3H052630T	3/4" x 26	3,0	30

# COMPONENTI E ACCESSORI PER GAS

## COMPONENTS AND ACCESSORIES FOR GAS

### ART. 5G00.I5

#### RACCORDO DIRITTO SEDE CONICA O-RING CON GIRELLO\*

STRAIGHT FITTING TAPER END WITH O-RING, LOOSE NUT\*



CODICE CODE	MISURA SIZE	SPESSORE THICKNESS	SCATOLA BOX
5G00I5H051620T	3/4" x 16	2,0	100
5G00I5H052020T	3/4" x 20	2,0	80
5G00I5H052630T	3/4" x 26	3,0	60
5G00I5H112630T	1"1/8 x 26	3,0	60
5G00I5H113230T	1"1/8 x 32	3,0	25

\* Raccordo adatto per tutta la serie di collettori e valvole della linea 5F00.  
\* This fitting is suitable for all manifolds and valves of line 5F00.

### ART. 5F00.61

#### COLLETTORE - SEDE CONICA PER ART. 5G00.I5

MANIFOLD - TAPER END FOR ART. 5G00.I5



CODICE CODE	MISURA SIZE	VIE WAYS	SCATOLA BOX
5F0061H110502H	1"1/8 x 3/4	2	1
5F0061H110503H	1"1/8 x 3/4	3	1

### ART. 5F00.N7

#### VALVOLA DIRITTA CON PRESA DI PRESSIONE - SEDE CONICA PER ART. 5G00.I5

STRAIGHT VALVE WITH PRESSURE PLUG - TAPER END FOR ART. 5G00.I5



CODICE CODE	MISURA SIZE	SCATOLA BOX	PREZZO € PRICE €
5F00N7H100000H	1"	1	60,66
<b>CON CHIAVE</b> LOCKABLE			
5F00N7H100KEYH	1"	1	

### ART. 5F00.N6

#### VALVOLA AD ANGOLO CON PRESA DI PRESSIONE - SEDE CONICA PER ART. 5G00.I5

ANGLE VALVE WITH PRESSURE PLUG - TAPER END FOR ART. 5G00.I5



CODICE CODE	MISURA SIZE	SCATOLA BOX
5F00N6H100000H	1"	1
<b>CON CHIAVE</b> LOCKABLE		
5F00N6H100KEYH	1"	1

### ART. 5F00.O5

#### KIT SCATOLA ATTACCO CALDAIA - SEDE CONICA PER ART. 5G00.I5

EMBEDDED BOX FOR BOILER CONNECTION - TAPER END FOR ART. 5G00.I5



CODICE CODE	MISURA SIZE	SCATOLA BOX
5F0005H050000H	1/2"	1

### ART. 5F00.O3

#### KIT VALVOLA + SCATOLA - SEDE CONICA PER ART. 5G00.I5

VALVE + EMBEDDED BOX - TAPER END FOR ART. 5G00.I5



CODICE CODE	MISURA SIZE	SCATOLA BOX
5F0003H050000H	3/4"	1

## COMPONENTI E ACCESSORI PER GAS

### COMPONENTS AND ACCESSORIES FOR GAS

#### ART. 5F00.O1

**VALVOLA DIRITTA CON DISPOSITIVO DI SICUREZZA**  
STRAIGHT VALVE WITH FIRE-SAFE DEVICE



CODICE CODE	MISURA SIZE	SCATOLA BOX
5F0001H040000H	1/2"	1

#### ART. 5F00.N8

**KIT PRESA DI PRESSIONE**  
PRESSURE PLUG KIT



CODICE CODE	MISURA SIZE	SCATOLA BOX
5F00N8H020000H	1/4"	1

#### ART. 5F00.O2

**VALVOLA A SQUADRA CON DISPOSITIVO DI SICUREZZA**  
ANGLE VALVE WITH FIRE-SAFE DEVICE



CODICE CODE	MISURA SIZE	SCATOLA BOX
5F0002H040000H	1/2"	1

#### ART. AC00.80 Gas

**CASSETTA COLLETTORE**  
MANIFOLD BOX



CODICE CODE	MISURA SIZE	VIE WAYS	SCATOLA BOX
AC0080H050200H	245 x 190 x 75	2	1
AC0080H050300H	300 x 210 x 75	3	1

#### ART. 5F00.N9

**ANGOLO CON DISPOSITIVO DI SICUREZZA**  
ANGLE WITH FIRE-SAFE DEVICE



CODICE CODE	MISURA SIZE	SCATOLA BOX
5F00N9H040000H	1/2"	1

#### ART. 5F00.O4

**PLACCA DI COPERTURA PER ART. 5F00.O3**  
COVER PLATE FOR ART. 5F00.O3



CODICE CODE	SCATOLA BOX
<b>VERSIONE CROMATA</b> CHROMED VERSION	
5F0004C120800H	1
<b>VERSIONE BIANCA</b> WHITE VERSION	
5F0004W120800H	1

### ART. TB00.20Y Coils

**TUBO MULTISTRATO PE-XC AL PE-X**  
MULTILAYER PIPE PE-XC AL PE-X



CODICE CODE	MISURA SIZE	ALLUMINIO ALUMINIUM	ROTOLO COIL	BANCALE PALLET
TB0020Y16200AT	16 x 2,0	0,4	100 m	1400 m
TB0020Y20200AT	20 x 2,0	0,4	100 m	1000 m
TB0020Y26305AT	26 x 3,0	0,6	50 m	350 m
TB0020Y32305AT	32 x 3,5	0,6	50 m	250 m

### ART. TB00.31Y

**GUAINA CORRUGATA GIALLA PER LA PROTEZIONE DEL TUBO**

YELLOW CORRUGATED SHEATH FOR PIPE PROTECTION



CODICE CODE	MISURA SIZE	ROTOLO COIL
TB0031Y250000H	16	50 m
TB0031Y300000H	20	50 m
TB0031Y400000H	26	50 m

### ART. TB00.20Y Bars

**TUBO MULTISTRATO PE-XC AL PE-X IN BARRA (5 m)**  
MULTILAYER PIPE PE-XC AL PE-X IN BAR (5 m)



CODICE CODE	MISURA SIZE	ALLUMINIO ALUMINIUM	ROTOLO COIL	BANCALE* PALLET*
TB0020Y162005H	16 x 2,0	0,4	-	100 m
TB0020Y202005H	20 x 2,0	0,4	-	65 m
TB0020Y263005H	26 x 3,0	0,6	-	35 m
TB0020Y323005H	32 x 3,5	0,6	-	25 m

\* Quantità diverse avranno un addebito di 25 € per imballo.  
\* For quantities different from standard, we will debit you € 25 for each packaging.

### ART. TB00.21Y

**TUBO MULTISTRATO CON GUAINA CORRUGATA GIALLA**  
MULTILAYER PIPE WITH YELLOW CORRUGATED SHEATH



CODICE CODE	MISURA SIZE	ALLUMINIO ALUMINIUM	ROTOLO COIL	BANCALE PALLET
TB0021Y162550T	16 x 2,0	0,4	50 m	650 m
TB0021Y203050T	20 x 2,0	0,4	50 m	500 m
TB0021Y264050T	26 x 3,0	0,6	50 m	500 m

**CAMPI DI APPLICAZIONE**

Il sistema di tubazione multistrato e raccordi a pressare GAS è idoneo alla realizzazione di impianti di adduzione gas per usi domestici alimentati da rete di distribuzione, da bidoni e serbatoi fissi di GPL, realizzati con sistemi di tubazioni metalloplastiche provenienti da reti di distribuzione del gas con pressione massima di esercizio di 0.5 bar e temperatura di esercizio da -20°C a +70°C.

**I raccordi possono essere installati anche per l'adduzione dell'acqua calda e fredda in impianti idrici sanitari e di riscaldamento.**

- Pressione max. 10bar
- Temperatura Max. 90°C.
- Applicazioni GAS per impianti ad uso domestico alimentati da reti di distribuzione, da bidoni e serbatoi fissi di GPL (Massima pressione operatrice 0.5 bar).

I raccordi sono conformi alla norma **ISO 21003-3** "Sistemi di tubazioni multistrato per le installazioni di acqua calda e fredda all'interno degli edifici.

- Tutte le filettature sono a norma e conformi alla **UNI EN 10226-1**
- Filettatura di tubazioni per accoppiamento con tenuta sul filetto.

**FIELDS OF APPLICATION**

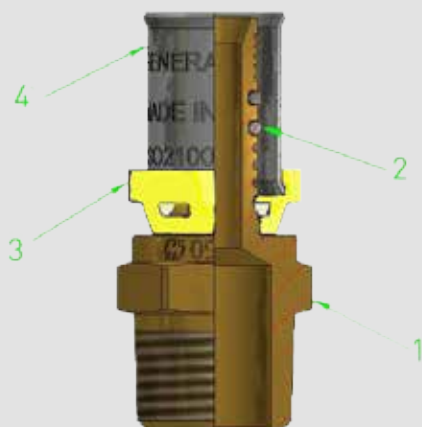
The multilayer piping and press system for gas is suitable for installations of gas supply for residential use from distribution network or LPG cylinders or tanks to be realized with metal-plastic pipes with a maximum operating pressure of 0.5 bar and a temperature range from -20°C to +70°C.

**These fittings can be used for systems of cold or hot water supply for sanitary or heating systems.**

- Pressione max. 10bar
- Temperatura Max. 90°C.
- Applicazioni GAS per impianti ad uso domestico alimentati da reti di distribuzione, da bidoni e serbatoi fissi di GPL (Massima pressione operatrice 0.5 bar).

Fittings comply with **ISO 21003-3** law. "Multilayer piping systems for hot and cold water supply installations inside buildings.

Threads comply with **UNI EN 10226-1** law - Piping thread for coupling on the thread.



Tab. 1

MATERIALI IMPIEGATI - MATERIALS USED			
		Normativa - Regulation	Materiali - Materials
1	Stampato - Hot stamped	<b>UNI EN 12165-CW617N-CuZn40Pb2</b>	<b>Cu57-59 Pb1.6-2.2 Sn&lt;0.3 Fe&lt;0.3 Ni&lt;0.2 Al&lt;0.05 Zn Diff.</b>
2	O- ring	<b>UNI EN 682 - DIN 549</b>	<b>NBR</b>
3	Anello - Ring		<b>NYLON</b>
4	Bussola - Bush		<b>ACCIAIO INOX AISI 304 SOLUBILIZZATO</b> SOLUBILIZED INOX STEEL AISI 304

La materia prima è composta da stampati e barre di ottone; la bussola di pressatura è realizzata in acciaio Inox, come indicato nella Tabella 1.

Tutte le filettature di attacco alla rete sono realizzate secondo la normativa per filetti gas conici a tenuta sul filetto. Per il montaggio con questo tipo di filettatura si consiglia l'utilizzo di Teflon liquido, evitando canapa o elementi che potrebbero comprometterne il funzionamento.

Per le informazioni e le normative tecniche riguardanti il trasporto dell'acqua in impianti sanitari e di riscaldamento, si veda la scheda della Linea 5S00 (p. 16).

The raw material is made up of hot-stamped pieces and brass bars; the pressing bush is made up of Inox steel, as shown in Table 1.

All threading connections to the system are manufactured in compliance with the regulation for conical gas threading with seal on the thread. In order to assemble this type of thread, the use of liquid Teflon is recommended. Please avoid hemp or other elements that could damage the proper functioning.

For technical information and laws concerning water transport in sanitary and heating systems, please see 5S00 line table (p. 16).

**Potabilità**

i materiali utilizzati sono di alta qualità e in linea con l'applicazione del Decreto Ministeriale N°174 del 06/04/2004 Regolamento concernente i materiali e gli oggetti che possono essere utilizzati negli impianti fissi di captazione, trattamento, adduzione e distribuzione delle acque destinate al consumo umano.-  
Norma Tedesca DIN 50930-6 Potabilità ottoni - Direttiva 2002/95/EC PE.6 Allegato ROHS.

(\*) Profili di pinza idonei alla pressatura del sistema GAS:

- Ø 16 Profilo TH - H - U;
- Ø 20 Profilo TH - H - U;
- Ø 26 Profilo TH - H - U;
- Ø 32 Profilo TH - H - U.

**Drinkableness**

the raw materials used are of high quality and comply with the Ministerial Decree N°174 dated 06/04/2004 concerning the materials and the items used in fixed installations for water collection, treatment and supply. -  
German Law DIN 50930-6 Brass to be used for drinking water - Directive 2002/95/EC PE.6 Attachmant ROHS.

(\*) Jaws profile suitable for GAS system pressing:

- Ø 16 TH - H - U Profile;
- Ø 20 TH - H - U Profile;
- Ø 26 TH - H Profile;
- Ø 32 TH - H - U Profile.

**ISTRUZIONI DI MONTAGGIO ASSEMBLING INSTRUCTIONS**

Tagliare il tubo perpendicolarmente al suo asse utilizzando un apposito utensile taglia tubi.

Cut the pipe perpendicularly to its axis using an appropriate pipe-cutting tool.



Procedere alla calibratura e sbavatura del tubo con apposito calibro, eliminando eventuali trucioli residui.

Calibrate the pipe using special reamer, removing possible residual chips.



Calzare il tubo sul portatubo del raccordo fino a battuta con l'anello plastico. Il tubo è inserito correttamente quando è visibile attraverso le finestre d'ispezione dell'anello.

Insert the pipe into the pipe holder until the pipe stops at the plastic ring. Check that the pipe is properly inserted and visible through inspection windows.



Posizionare la pinza di pressatura (\*) e azionare il pulsante elettrico della macchina pressatrice. Il non corretto posizionamento della pinza potrebbe pregiudicare il funzionamento del sistema.

Place the pressing jaws (\*) and operate the electric button of the pressing machine. An improper placing of the jaws could damage the proper system functioning.

## RACCORDI A COMPRESSIONE CON OGIVA

## BRASS OLIVE COMPRESSION FITTINGS

## ART. 5300.00

**RACCORDO DIRITTO DOPPIO NICHELATO**  
 NICKEL PLATED DOUBLE STRAIGHT FITTING


CODICE CODE	MISURA SIZE	SPESSORE THICKNESS	SCATOLA BOX
530000N142000A	14 x 14	2,0	100
530000N162000A	16 x 16	2,0	100
530000N182000A	18 x 18	2,0	80
530000N202000A	20 x 20	2,0	60
530000N252500A	25 x 25	2,5	40
530000N263000A	26 x 26	3,0	40
530000N323000A	32 x 32	3,0	25

## ART. 5300.02

**RACCORDO DIRITTO FEMMINA NICHELATO**  
 NICKEL PLATED FEMALE STRAIGHT FITTING


CODICE CODE	MISURA SIZE	SPESSORE THICKNESS	SCATOLA BOX
530002N041420A	1/2" x 14	2,0	150
530002N041620A	1/2" x 16	2,0	150
530002N041820A	1/2" x 18	2,0	100
530002N042020A	1/2" x 20	2,0	80
530002N042630A	1/2" x 26	3,0	50
530002N051620A	3/4" x 16	2,0	100
530002N051820A	3/4" x 18	2,0	80
530002N052020A	3/4" x 20	2,0	80
530002N052525A	3/4" x 25	2,5	50
530002N052630A	3/4" x 26	3,0	50
530002N102525A	1" x 25	2,5	40
530002N102630A	1" x 26	3,0	40
530002N103230A	1" x 32	3,0	40

## ART. 5300.01

**RACCORDO DIRITTO MASCHIO NICHELATO**  
 NICKEL PLATED MALE STRAIGHT FITTING


CODICE CODE	MISURA SIZE	SPESSORE THICKNESS	SCATOLA BOX
530001N031620A	3/8" x 16	2,0	160
530001N041420A	1/2" x 14	2,0	160
530001N041620A	1/2" x 16	2,0	160
530001N041820A	1/2" x 18	2,0	100
530001N042020A	1/2" x 20	2,0	100
530001N042630A	1/2" x 26	2,0	50
530001N051620A	3/4" x 16	2,0	120
530001N051820A	3/4" x 18	2,0	100
530001N052020A	3/4" x 20	2,0	80
530001N052525A	3/4" x 25	2,5	50
530001N052630A	3/4" x 26	3,0	50
530001N102525A	1" x 25	2,5	50
530001N102630A	1" x 26	3,0	40
530001N103230A	1" x 32	3,0	40

## ART. 5300.03

**RACCORDO DIRITTO RIDOTTO NICHELATO**  
 NICKEL PLATED REDUCED STRAIGHT FITTING


CODICE CODE	MISURA SIZE	SPESSORE THICKNESS	SCATOLA BOX
530003N665600A	20 x 16	2,0 / 2,0	60
530003N666200A	20 x 18	2,0 / 2,0	60
530003N775600A	26 x 16	3,0 / 2,0	40
530003N776600A	26 x 20	3,0 / 2,0	40
530003N806600A	32 x 20	3,0 / 2,0	30
530003N807700A	32 x 26	3,0 / 3,0	30

## RACCORDI A COMPRESSIONE CON OGIVA

BRASS OLIVE COMPRESSION FITTINGS

## ART. 5300.10

RACCORDO A T NICHELATO  
NICKEL PLATED TEE

CODICE CODE	MISURA SIZE	SPESSORE THICKNESS	SCATOLA BOX
530010N142000A	14 x 14 x 14	2,0	60
530010N162000A	16 x 16 x 16	2,0	60
530010N182000A	18 x 18 x 18	2,0	30
530010N202000A	20 x 20 x 20	2,0	30
530010N252500A	25 x 25 x 25	2,5	20
530010N263000A	26 x 26 x 26	3,0	20
530010N323000A	32 x 32 x 32	3,0	10

## ART. 5300.12

RACCORDO A T FEMMINA NICHELATO  
NICKEL PLATED FEMALE TEE

CODICE CODE	MISURA SIZE	SPESSORE THICKNESS	SCATOLA BOX
530012N041420A	14 x 1/2" x 14	2,0	50
530012N041620A	16 x 1/2" x 16	2,0	50
530012N041820A	18 x 1/2" x 18	2,0	40
530012N042020A	20 x 1/2" x 20	2,0	30
530012N051620A	16 x 3/4" x 16	2,0	30
530012N051820A	18 x 3/4" x 18	2,0	30
530012N052020A	20 x 3/4" x 20	2,0	30
530012N052525A	25 x 3/4" x 25	2,5	20
530012N052630A	26 x 3/4" x 26	3,0	20
530012N053230A	32 x 3/4" x 32	3,0	10
530012N102630A	26 x 1" x 26	3,0	20
530012N103230A	32 x 1" x 32	3,0	10

## ART. 5300.11

RACCORDO A T MASCHIO NICHELATO  
NICKEL PLATED MALE TEE

CODICE CODE	MISURA SIZE	SPESSORE THICKNESS	SCATOLA BOX
530011N041420A	14 x 1/2" x 14	2,0	60
530011N041620A	16 x 1/2" x 16	2,0	60
530011N041820A	18 x 1/2" x 18	2,0	40
530011N042020A	20 x 1/2" x 20	2,0	30
530011N051620A	16 x 3/4" x 16	2,0	40
530011N051820A	18 x 3/4" x 18	2,0	40
530011N052020A	20 x 3/4" x 20	2,0	30
530011N052630A	26 x 3/4" x 26	3,0	20
530011N053230A	32 x 3/4" x 32	3,0	10
530011N102630A	26 x 1" x 26	3,0	15
530011N103230A	32 x 1" x 32	3,0	10

## ART. 5300.13

RACCORDO A T RIDOTTO NICHELATO  
NICKEL PLATED REDUCED TEE

CODICE CODE	MISURA SIZE	SPESSORE THICKNESS	SCATOLA BOX
	1   2   3		
530013N566656A	16 x 20 x 16	2,0 / 2,0 / 2,0	30
530013N666656A	20 x 16 x 16	2,0 / 2,0 / 2,0	30
530013N666666A	20 x 16 x 20	2,0 / 2,0 / 2,0	30
530013N666656A	20 x 20 x 16	2,0 / 2,0 / 2,0	30
530013N745674A	25 x 16 x 25	2,5 / 2,0 / 2,5	20
530013N746674A	25 x 20 x 25	2,5 / 2,0 / 2,5	20
530013N775677A	26 x 16 x 26	3,0 / 2,0 / 3,0	20
530013N776677A	26 x 20 x 26	3,0 / 2,0 / 3,0	20
530013N805680A	32 x 16 x 32	3,0 / 2,0 / 3,0	10
530013N806680A	32 x 20 x 32	3,0 / 2,0 / 3,0	10
530013N807780A	32 x 26 x 32	3,0 / 3,0 / 3,0	10

"Misura" si riferisce alle dimensioni del raccordo.  
"Size" refers to the fitting dimensions.

Senso di lettura per raccordi a T.  
Way to read the tee (international system).

1	2
3	



# 5300

## RACCORDI A COMPRESSIONE CON OGIVA

### BRASS OLIVE COMPRESSION FITTINGS

#### ART. 5300.18

##### RACCORDO A T RIDOTTO MASCHIO NICHELATO NICKEL PLATED MALE REDUCED TEE



CODICE CODE	MISURA SIZE	SPESSORE THICKNESS	SCATOLA BOX
530018N660456A	20 x 1/2" x 16	2,0	40

#### ART. 5300.19

##### RACCORDO A T RIDOTTO FEMMINA NICHELATO NICKEL PLATED FEMALE REDUCED TEE



CODICE CODE	MISURA SIZE	SPESSORE THICKNESS	SCATOLA BOX
530019N660456A	20 x 1/2" x 16	2,0	40
530019N660556A	20 x 3/4" x 16	2,0	40

#### ART. 5300.20

##### ANGOLO DOPPIO NICHELATO NICKEL PLATED DOUBLE ELBOW



CODICE CODE	MISURA SIZE	SPESSORE THICKNESS	SCATOLA BOX
530020N142000A	14 x 14	2,0	80
530020N162000A	16 x 16	2,0	80
530020N182000A	18 x 18	2,0	50
530020N202000A	20 x 20	2,0	50
530020N252500A	25 x 25	2,5	20
530020N263000A	26 x 26	3,0	20
530020N323000A	32 x 32	3,0	20

#### ART. 5300.21

##### ANGOLO MASCHIO NICHELATO NICKEL PLATED MALE ELBOW



CODICE CODE	MISURA SIZE	SPESSORE THICKNESS	SCATOLA BOX
530021N041420A	1/2" x 14	2,0	100
530021N041620A	1/2" x 16	2,0	100
530021N041820A	1/2" x 18	2,0	80
530021N042020A	1/2" x 20	2,0	60
530021N051620A	3/4" x 16	2,0	70
530021N051820A	3/4" x 18	2,0	70
530021N052020A	3/4" x 20	2,0	50
530021N052525A	3/4" x 25	2,5	30
530021N052630A	3/4" x 26	3,0	30
530021N102525A	1" x 25	2,5	30
530021N102630A	1" x 26	3,0	30
530021N103230A	1" x 32	3,0	30

#### ART. 5300.22

##### ANGOLO FEMMINA NICHELATO NICKEL PLATED FEMALE ELBOW



CODICE CODE	MISURA SIZE	SPESSORE THICKNESS	SCATOLA BOX
530022N041420A	1/2" x 14	2,0	80
530022N041620A	1/2" x 16	2,0	80
530022N041820A	1/2" x 18	2,0	70
530022N042020A	1/2" x 20	2,0	60
530022N051620A	3/4" x 16	2,0	40
530022N051820A	3/4" x 18	2,0	40
530022N052020A	3/4" x 20	2,0	40
530022N052525A	3/4" x 25	2,5	30
530022N052630A	3/4" x 26	3,0	30
530022N102525A	1" x 25	2,5	30
530022N102630A	1" x 26	3,0	30
530022N103230A	1" x 32	3,0	20

ART. **5300.23**

**ATTACCO A MURO NICHELATO CON FLANGIA 3 FORI**  
NICKEL PLATED WALLPLATE ELBOW WITH 3 HOLES



CODICE CODE	MISURA SIZE	SPESSORE THICKNESS	SCATOLA BOX
530023N041420A	1/2" x 14	2,0	50
530023N041620A	1/2" x 16	2,0	50
530023N041820A	1/2" x 18	2,0	50
530023N042020A	1/2" x 20	2,0	50
530023N052020A	3/4" x 20	2,0	40

ART. **5300.36**

**CROCE NICHELATA**  
NICKEL PLATED CROSS



CODICE CODE	MISURA SIZE	SPESSORE THICKNESS	SCATOLA BOX
530036N142000A	14 x 14 x 14 x 14	2,0	60
530036N162000A	16 x 16 x 16 x 16	2,0	40
530036N182000A	18 x 18 x 18 x 18	2,0	20
530036N202000A	20 x 20 x 20 x 20	2,0	20

ART. **5300.85**

**RACCORDO ADATTATORE PER TUBO RAME**  
ADAPTER FOR COPPER PIPE



CODICE CODE	MISURA SIZE	SPESSORE THICKNESS	SCATOLA BOX
530085N161500A	16 x 15	2,0	100

**CAMPI DI APPLICAZIONE**

I raccordi a compressione sono utilizzati per l'adduzione dell'acqua calda e fredda in impianti idrici sanitari e di riscaldamento.

- Temperatura massima di esercizio: 90°C.
- Temperatura minima: 20°C.
- Pressione massima di esercizio: 10 Bar.

I raccordi sono conformi alla norma **ISO 21003-3** "Sistemi di tubazioni multistrato per le installazioni di acqua calda e fredda all'interno degli edifici.

Tutte le filettature sono a norma e conformi alla **UNI EN ISO 228-1:2003** - Filettatura di tubazioni per accoppiamento non a tenuta sul filetto.

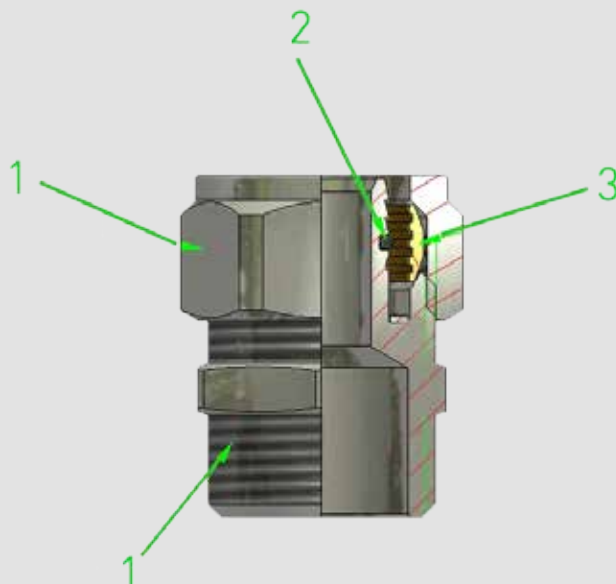
**FIELDS OF APPLICATION**

The compression fittings are used for hot and cold water supply in sanitary and heating installations.

- Maximum working temperature: 90°C.
- Minimum temperature: 20°C.
- Maximum operating pressure: 10 Bars.

Fittings comply with **ISO 21003-3** law. "Multilayer piping systems for hot and cold water supply installations inside buildings.

All the threads comply with **UNI EN ISO 228-1:2003** Piping thread for coupling not with tightness on the thread.



Tab. 1

MATERIALI IMPIEGATI - MATERIALS USED			
		Normativa - Regulation	Materiali - Materials
1	Stampato Hot stamped	<b>UNI EN 12165-CW617N-CuZn40Pb2</b>	<b>Cu57-59 Pb1.6-2.2 Sn&lt;0.3 Fe&lt;0.3 Ni&lt;0.2 Al&lt;0.05 Zn Diff.</b>
2	O- ring	<b>UNI EN 681-1</b>	<b>EPDM PEROX 70</b>
3	Anello (isolante) Ring (insulating)	FL8020	<b>EPDM PEROX 70</b>

La materia prima è composta da stampati e barre di ottone, come indicato nella Tabella 1.

The raw material is made up of hot-stamped pieces and brass bars; the pressing bush is made up of Inox steel, as shown in Table 1.

**Potabilità**

i materiali utilizzati sono di alta qualità e in linea con l'applicazione del Decreto Ministeriale N°174 del 06/04/2004 Regolamento concernente i materiali e gli oggetti che possono essere utilizzati negli impianti fissi di captazione, trattamento, adduzione e distribuzione delle acque destinate al consumo umano. - Norma Tedesca DIN 50930-6 Potabilità ottone - Direttiva 2002/95/EC PE.6 Allegato ROHS.

**Drinkableness**

the raw materials used are of high quality and comply with the Ministerial Decree N°174 dated 06/04/2004 concerning the materials and the items used in fixed installations for water collection, treatment and supply - German standard DIN 50930-6 Brass to be used for drinking water Directive 2002/95/EC PE.6 Attachment RoHS.

**CLASSIFICAZIONE DELLE CONDIZIONI DI ESERCIZIO** CLASSIFICATION OF SERVICE CONDITIONS Tab. 2

Classe di applicazione Application class	Temperatura di progetto Installation temperature T <sup>p</sup> °C	Tempo <sup>b)</sup> a T <sub>D</sub> Time <sup>b)</sup> at T <sub>D</sub> anni years	T <sub>max</sub> T <sub>max</sub> °C	Tempo a T <sub>max</sub> Time at T <sub>max</sub> anni years	T <sub>mal</sub> T <sub>mal</sub> °C	Tempo a T <sub>mal</sub> Time at T <sub>mal</sub> h	Campo di applicazione Field of application
1 <sup>a)</sup>	60	49	80	1	95	100	Fornitura di acqua calda Hot water supply (60 °C)
2 <sup>a)</sup>	70	49	80	1	95	100	Fornitura di acqua calda Hot water supply (70 °C)
4 <sup>b)</sup>	20	2,5	70	2,5	100	100	Riscaldamento a pavimento e radiatori a bassa temperatura Underfloor heating and low-temperature radiators
	plus cumulative	20					
	40	25					
5 <sup>b)</sup>	20	14	90	1	100	100	Radiatori ad alta temperatura High-temperature radiators
	plus cumulative	25					
	60	10					
	80	10					

<sup>a)</sup> Un paese può scegliere la classe 1 o la classe 2 in conformità alla propria legislazione nazionale.

<sup>a)</sup> A country may select either 1 or class 2 in conformity with its national regulations.

<sup>b)</sup> Quando risultasse più di una temperatura di progetto per ogni classe, i tempi dovrebbero essere aggregati.

<sup>b)</sup> In case more than one installation temperature appears for each class, times should be aggregated.

**FILETTATURE E SERRAGGIO DADI** THREADS AND NUTS TIGHTENING

Tab. 3

Ø Tubo Ø Pipe	Filetto attacco Thread coupling	N. Giri (+1/4) Turns (+1/4)
14	G 1/2"	1/2
16	G 1/2"	1/2
18	3/4"	3/4
20	3/4"	3/4
26	1"	1/2
32	M 39x1.5	1/2

## ISTRUZIONI DI MONTAGGIO ASSEMBLING INSTRUCTIONS



Tagliare il tubo perpendicolarmente al suo asse utilizzando un apposito utensile taglia tubi.

Cut the pipe perpendicularly to its axis using an appropriate pipe-cutting tool.



Procedere alla calibratura e sbavatura del tubo con apposito calibro, eliminando eventuali trucioli residui.

Calibrate the pipe using special reamer, removing possible residual chips.



Inserire il dado e l'ogiva sul tubo.

Insert the nut and the gasket on the pipe.



Inserire il tubo fino a battuta e avvitare il dado a mano, per quanto consentito. Con chiave esagonale avvitare il dado fino a raggiungere il numero di giri indicato nella Tabella 3.

Insert the pipe until the setback and screw by hand the nut, until allowed. With an hexagonal spanner, screw the nut until reaching the number of threads shown in Table 3.

**5300**

**SCHEDA TECNICA**  
**TECHNICAL SHEET**

RACCORDI A COMPRESSIONE CON OGIVA  
BRASS OLIVE COMPRESSION FITTINGS